

IP Video Server Basic Wiring Guide

1.2 Physical interface socket Pin definition

1.2.1 Standard RS232 port RJ-45 socket Pin definition

video server supplies a RS232 standard port, adopt 1-45 socket definition of each pin is below, I means video server input, O means video server output.。

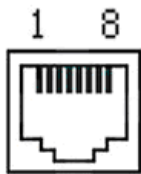


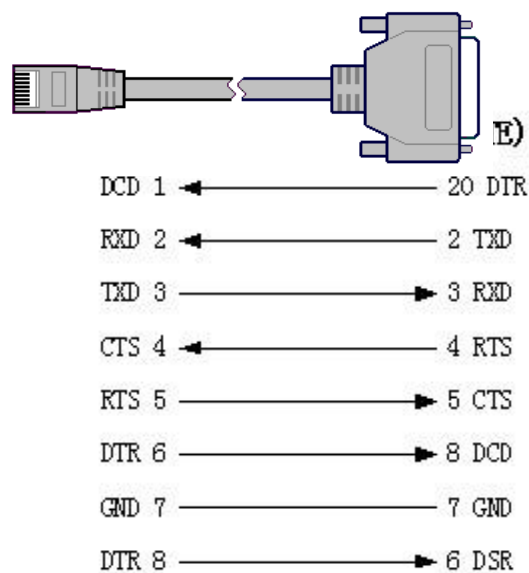
Chart 2.1 RJ-45

2.1 RS232 RJ-45 define

PIN	Dec.	I/O	explain
1	DCD	I	carrier wave in effect
2	RxD	I	Receive Data
3	TxD	O	Send Data
4	CTS	I	Clear
5	RTS	O	Request
6	DTR	O	Ready
7	GND		
8			

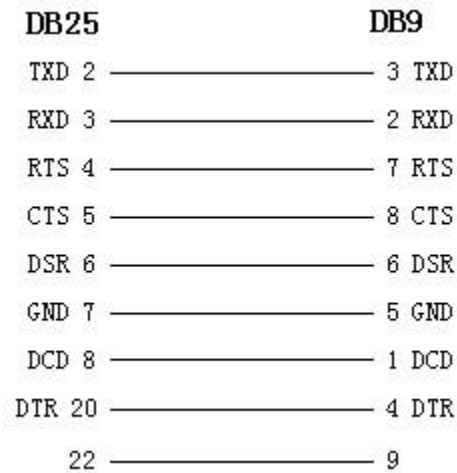
(1) when video server's port is connected with DTE/DCE equipment, one side of the cable is RJ45 socket the other side is DB25 bore style socket. 25 cores bore style socket. The way to connect 25 cores bore style socket with RJ45 is below:

(2)



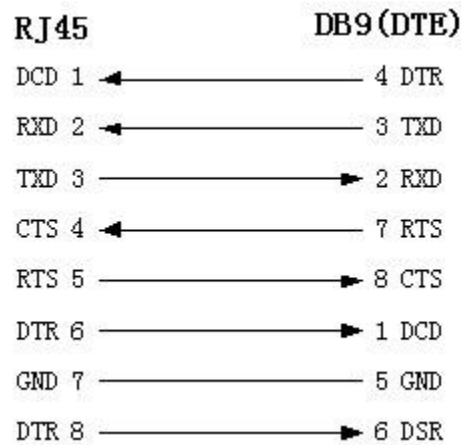
picture2.2 the connection with RJ45 and DB25 (DTE)

(3) the way to connect 25 cores bore style socket with 9 cores bore style socket conversion is below:



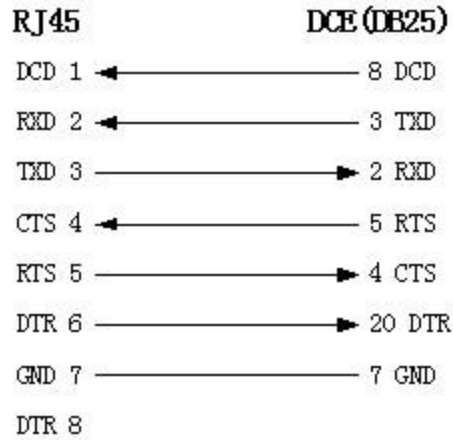
picture2.3 the connection with DB25 and DB9

(3) the cable connect video server with DTE(terminal) equipment one side of the cable is 8 cores RJ45 socket, the other side is DB9 core style socket.



picture 2.4 the connection with RJ45 and DB9

(4) when connect video server's port with DCE (MODEM) equipment, one side of the cable is 8 cores RJ45 socket, the other side is DB25 needle style socket. the connection with 25 cores bore socket and RJ45 is below:



picture 2.5 the connection with RJ45 and DB25 (DCE)

12.2 Connection for RS485 port to RJ-45 socket pin

