

VR 7608 Alarm Device

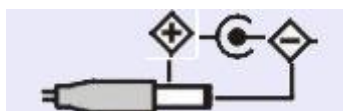
8-Input/Output Alarm Box



The 8-channel alarm box connects with 8-channel alarm probe head. 8-channel outputs, open alarm.

IMPORTANT!

REVERSE THE POLARITY OF YOUR POWER SUPPLY ADAPTOR. FOLLOW THIS POLARITY FOR YOUR DC ADAPTOR:



Specifications

Power Voltage	DC12V
Power Consumption	5W
Communication	RS232\RS485
Baud rate	9600
Alarm Input	8 Channels
Alarm Mode	Open Alarm
Alarm Output	8 Channels
Switch current	AC220V/2A
Alarm Linkage Mode	Host control
Communication Mode With Host	Host Ask
Minimal Communication Interval	150ms
Dimension(mm)	216×125×30
Weight (kg)	1

1. General

The VR 7608 alarm box is an 8 channel alarm inputs, 8 channels controllable normally open relay outputs alarm box, connected with digital video recorder to conduct single or full arm, disarm, enquiry and switch controlling function.

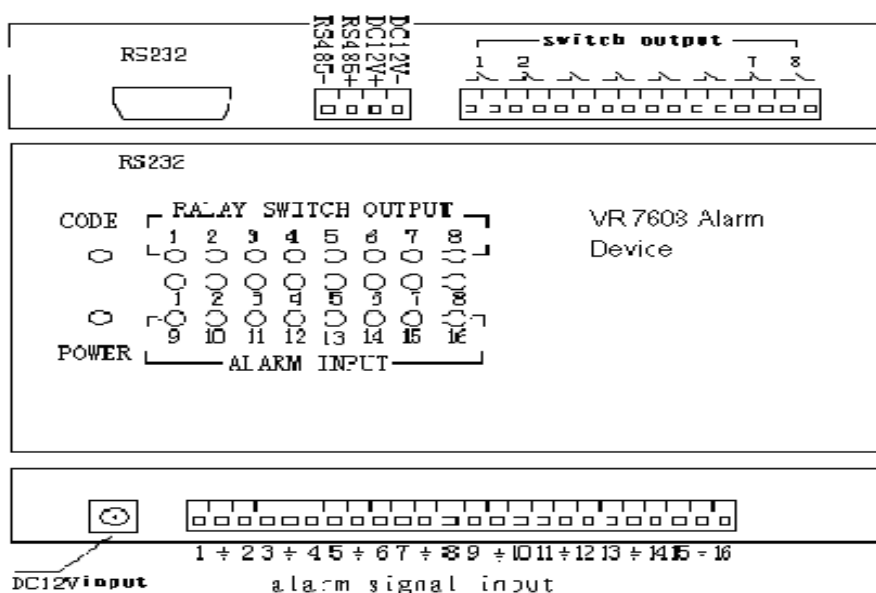
2. Main Features

- 8 channel alarm inputs, 8 channel relay outputs (NO)
- Alarm linkage function
- Watchdog function, auto reset function in strong reference environment.
- Open circuit and short circuit arm function
- Provide protocol, 16 ID setting; connect up to 128 alarm probes at maximum.

3. Specification

Power Supply	DC12 V
Power output	DC12V/400mA
Auxiliary relay	8 normally open relay switch
Communication	RS485, RS232
Protocol	VR Enterprise 7608 (Proprietary)
Operating Environment	-10°C~70°C indoor

4. Connection Diagram



Switch Output – are relays (on/off switches) that may turn on/off when an event/motion was sensed by the camera.

Alarm Signal Input – are relays (on/off switch) that will trigger the DVR system to react based on the settings at the sensor setup on the DVR.

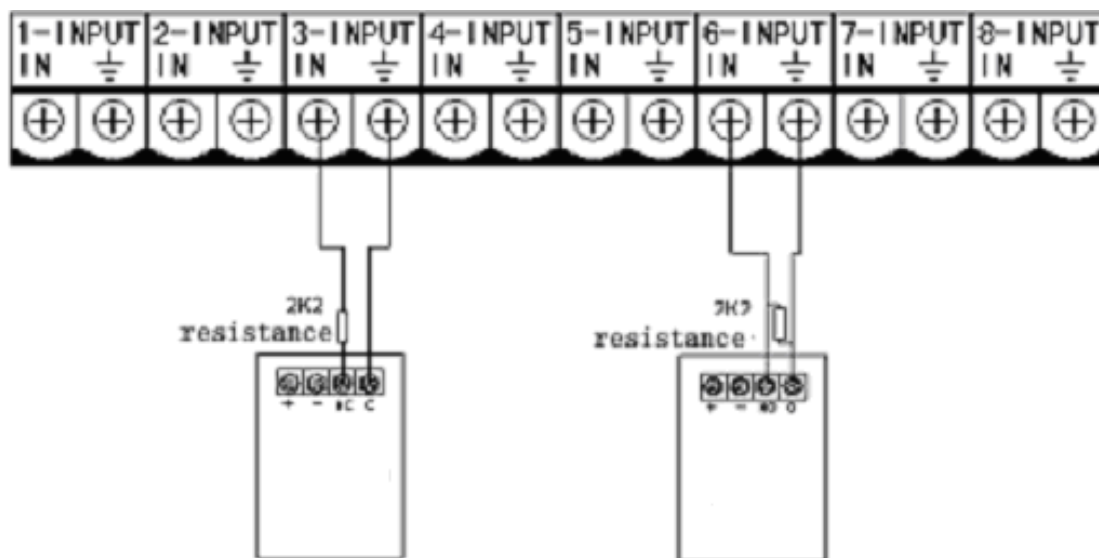
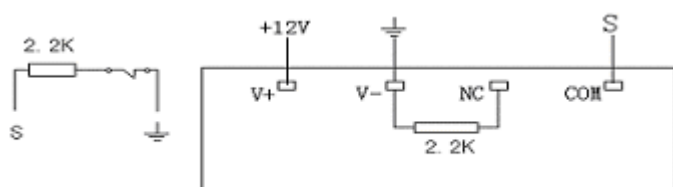
5. Board LED Indication

- Alarm out LED, light means relay closed, off means relay open
- Alarm in LED, long light means in arm setup status, blinking means arming
- Communication LED, LED blinks when the communication mode is in accordance with the host computer protocol.

6. Connection

Operate as following figure to connect alarm probe, and connect a resistance (2K) in series connection at NO contact.

S=signal, \perp =ground wire



Attachment: NV7608's setup in DVR software.

Step1.Set the DI/DO port

Step2.Set the DI/DO device is NV7608

Now, when the NV7608 is connected with the computer, the code Red LED will blink.