

## CONTENTS

Contents.....	1
Section 1 Introduction.....	2
Section 2 Dip Switch Setting.....	3
2.1 Dip Switch Introduction.....	3
2.2 Dip Switch Setting.....	3
Section 3 Installation.....	6
3.1 Accessories For Installing Dome Cameras.....	6
3.2 Parts Picture For The Dome Camera.....	7
3.3 Parts Dimensions.....	9
3.4 In-ceiling Mount Installation.....	11
3.5 Surface Mount Installation .....	15
3.6 Wall Mount Installation.....	17
Section 4 Troubleshooting and Repair.....	21
4.1 Troubleshooting.....	21
4.2 Caution.....	21

\*\*\*Contents and specifications are subject to change without notice.\*\*\*

## SECTION 1 INTRODUCTION

### 1.1 Precautions

- 1). Opening and repairing of the dome camera should only be done by authorized service person.
- 2). Avoid crashing violently or rude handling during transportation.
- 3). Install the mount for the dome camera at desired position.  
Note: the mount position should be solid enough.
- 4). Input voltage is 12V for 110V mains, while 24V for 220V mains..

## SECTION 2 DIP SWITCH SETTING

Before installing the dome drive, check the DIP switches, configure the receiver address, communication protocol, and baud rate setting. Figure 1 shows switches position and default settings. SW1 switches(1bit) and SW2 switches(1,2, and 7 bit ) are set to the ON position. For normal user, setting switches to default position is enough.

### 2.1 DIP Switch Introduction

Refer to the following sections to set the dome address, baud rate, and communication protocol type.



Figure 1 Switch Position

### 2.2 DIP Switch Setting

1.The dome camera can be controlled via various communication protocols by setting SW1 switches(1, 2, 3,and 4) and operate at 1200bps, 2400bps,4800bps,9600bps and 19200bps baud rate by setting SW1 switches(5, 6, 7, and 8). Refer to Table B for communication protocol and baud rate settings, pay attention not to set the switches to reserved position. Figure 2 shows the default settings for the DIP switches.

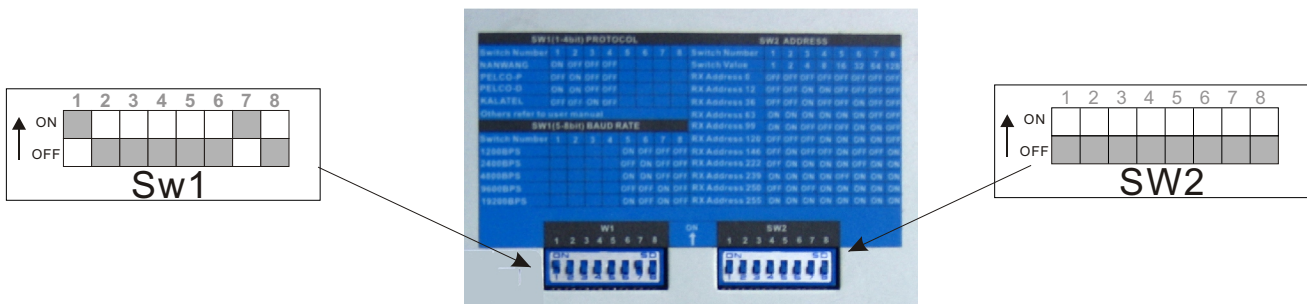


Figure 2 Default settings for the DIP switches

Communication Protocol & Baud Rate Setting:

SWITCH 1 SETTING								
POS	1	2	3	4	DESCRIPTION			
COMM	ON	OFF	OFF	OFF	Reserved for future use			
	OFF	ON	OFF	OFF	PELCO-P			
	ON	ON	OFF	OFF	PELCO-D			
PTOL	OFF	OFF	ON	OFF	KALATEL			
	ON	OFF	ON	OFF	Reserved for future use			
	OFF	ON	ON	OFF	Reserved for future use			
	ON	ON	ON	OFF	Reserved for future use			
. . . .				. . . .				
POS	DESCRIPTION				5	6	7	8
BAUD	1200				ON	OFF	OFF	OFF
	2400				OFF	ON	OFF	OFF
	4800				ON	ON	OFF	OFF
RATE	9600				OFF	OFF	ON	OFF
	19200				ON	OFF	ON	OFF
(BPS)	Reserved for future use				OFF	ON	ON	OFF
	Reserved for future use				ON	ON	ON	OFF
	. . . .				. . . .			

2. SW2 Dome Address Setting

Set the SW1 switches for the address of the dome camera Refer to below table for detail address settings, maximum number of dome address is 255.

**Note:** “ AB CODE ” of dome cameras can be controlled only with baud rate at 9600bps and protocol of PELCO-D. This is for network/IP dome cameras.

DOME ADDRESS	SWITCH 2 SETTING							
	1	2	3	4	5	6	7	8
0	OFF	OFF	OFF	OFF	OFF	OFF	OFF	OFF
1	ON	OFF	OFF	OFF	OFF	OFF	OFF	OFF
2	OFF	ON	OFF	OFF	OFF	OFF	OFF	OFF
3	ON	ON	OFF	OFF	OFF	OFF	OFF	OFF
4	OFF	OFF	ON	OFF	OFF	OFF	OFF	OFF
5	ON	OFF	ON	OFF	OFF	OFF	OFF	OFF
6	OFF	ON	ON	OFF	OFF	OFF	OFF	OFF
7	ON	ON	ON	OFF	OFF	OFF	OFF	OFF
8	OFF	OFF	OFF	ON	OFF	OFF	OFF	OFF
9	ON	OFF	OFF	ON	OFF	OFF	OFF	OFF
10	OFF	ON	OFF	ON	OFF	OFF	OFF	OFF
11	ON	ON	OFF	ON	OFF	OFF	OFF	OFF
12	OFF	OFF	ON	ON	OFF	OFF	OFF	OFF
13	ON	OFF	ON	ON	OFF	OFF	OFF	OFF
14	OFF	ON	ON	ON	OFF	OFF	OFF	OFF
15	ON	ON	ON	ON	OFF	OFF	OFF	OFF
16	OFF	OFF	OFF	OFF	ON	OFF	OFF	OFF
17	ON	OFF	OFF	OFF	ON	OFF	OFF	OFF
18	OFF	ON	OFF	OFF	ON	OFF	OFF	OFF
19	ON	ON	OFF	OFF	ON	OFF	OFF	OFF
20	OFF	OFF	ON	OFF	ON	OFF	OFF	OFF
21	ON	OFF	ON	OFF	ON	OFF	OFF	OFF
22	OFF	ON	ON	OFF	ON	OFF	OFF	OFF
23	ON	ON	ON	OFF	ON	OFF	OFF	OFF
24	OFF	OFF	OFF	ON	ON	OFF	OFF	OFF
25	ON	OFF	OFF	ON	ON	OFF	OFF	OFF
26	OFF	ON	OFF	ON	ON	OFF	OFF	OFF
27	ON	ON	OFF	ON	ON	OFF	OFF	OFF
28	OFF	OFF	ON	ON	ON	OFF	OFF	OFF
...	...	...	...	...	...	...	...	...
246	OFF	ON	ON	OFF	ON	ON	ON	ON
247	ON	ON	ON	OFF	ON	ON	ON	ON
248	OFF	OFF	OFF	ON	ON	ON	ON	ON
249	ON	OFF	OFF	ON	ON	ON	ON	ON
250	OFF	ON	OFF	ON	ON	ON	ON	ON
251	ON	ON	OFF	ON	ON	ON	ON	ON
252	OFF	OFF	ON	ON	ON	ON	ON	ON
253	ON	OFF	ON	ON	ON	ON	ON	ON
254	OFF	ON	ON	ON	ON	ON	ON	ON
255	ON	ON	ON	ON	ON	ON	ON	ON

## SECTION 3 INSTALLATION

### 3.1 Accessories For Installing dome Cameras

The dome camera has four types of mountings: pipe pendant mount, surface mount, wall mount and in-ceiling mount. Please refer to the below table for detailed accessories of respective mountings.

Mounting Type	Part Name	Part Model	Qty	Unit	Remark
Surface Mount	Dome Drive		1	pc	
	Back board		1	pc	
	Acrylic Dome with Trim Ring		1	pc	
	9 Hole of Pin		1	Set	
	6 Hole of Pin		1	Set	
	5 Hole of Pin		1	Set	
In-Ceiling Mount	Dome Drive		1	pc	
	Back Box		1	pc	
	Lower Dome		1	pc	
	9 Hole of Pin		1	Set	
	6 Hole of Pin		1	Set	
	5 Hole of Pin		1	Set	
Wall Mount	Dome drive		1	pc	
	Back Box		1	pc	
	Lower Dome		1	pc	
	Bracket		1	pc	
	9 Hole of Pin		1	Set	
	6 Hole of Pin		1	Set	
	5 Hole of Pin		1	Set	
Pipe Pendant Mount	Dome Drive		1	pc	
	Back Box		1	pc	
	Lower Dome		1	pc	
	Pipe		1	pc	
	Flange		1	pc	
	9 Hole of Pin		1	Set	
	6 Hole of Pin		1	Set	
	5 Hole of Pin		1	Set	

3.2 Parts picture for the dome camera

The shipping cartons contains three boxes. Check each box to make sure all parts are included..

Surface mount parts	In-ceiling mount parts	
 <p>Dome Drive</p>		
 <p>Back board</p>	 <p>Back Box</p>	
 <p>Flange</p>	 <p>Lower Dome (Acrylic lower dome with trim ring)</p>	
 <p>9 hole of pin</p>	 <p>6 hole of pin</p>	 <p>5 hole of pin</p>

Wall mount parts	Pipe pendant mount parts	
 <p>Dome Drive</p>		
 <p>Lower Dome(Acrylic lower dome with trim ring)</p>	 <p>Back box</p>	
 <p>Bracket</p>	 <p>Flange and Pipe</p>	
 <p>9 hole of pin</p>	 <p>6 hole of pin</p>	 <p>5 hole of pin</p>

Figure 3 Installing parts picture



3.3 Dome camera installing parts dimensions

A. The Dome camera dimension drawing



Figure 4 Surface mount dimension



Figure 5 In-ceiling mount dimension



Figure 6 Pith for Wall mount dimension

B. The dome camera parts dimension drawing

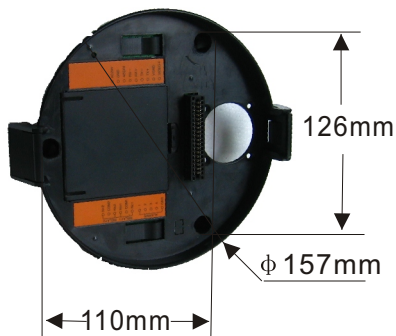


Figure7 Back board dimension

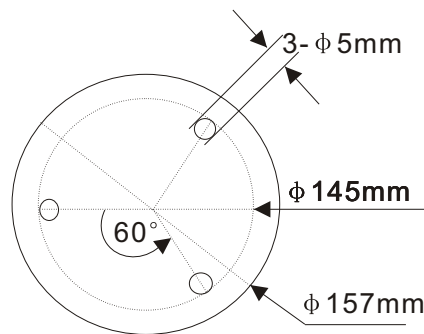


Figure 8 Surface mount drawing

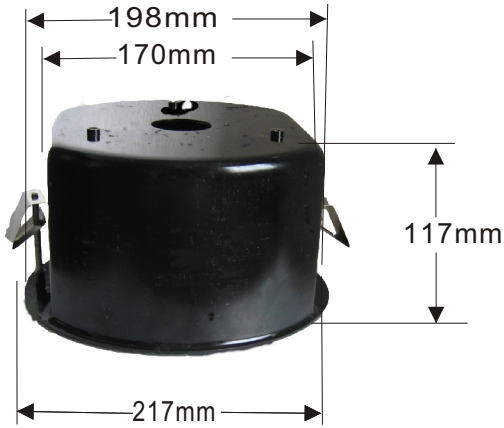


Figure 9 Back Box dimension

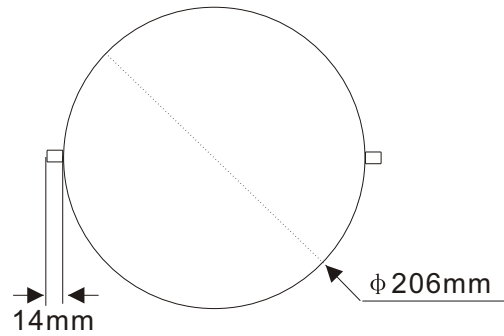


Figure 10 In-ceiling mount drawing

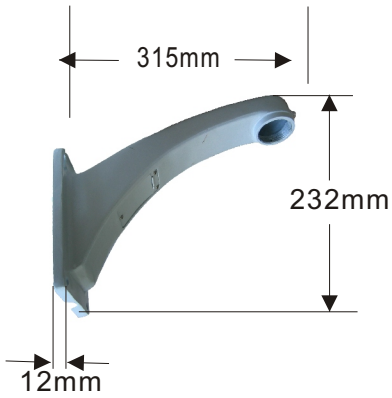


Figure 11 Bracket dimension

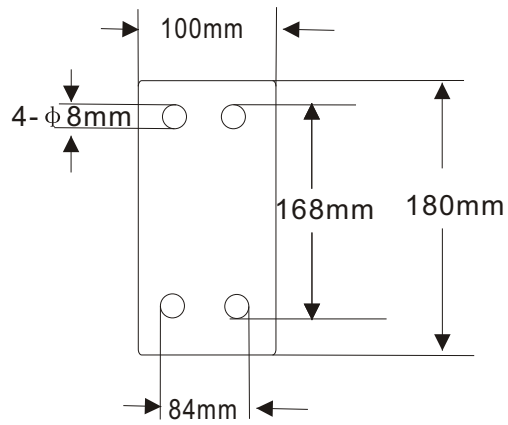


Figure 12 Pendant mount drawing

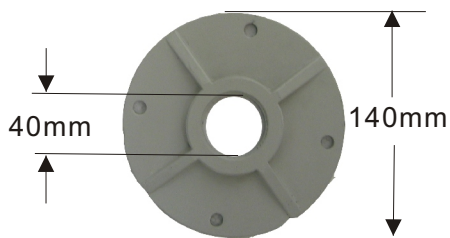


Figure 13 Flange of pipe pendant dimension

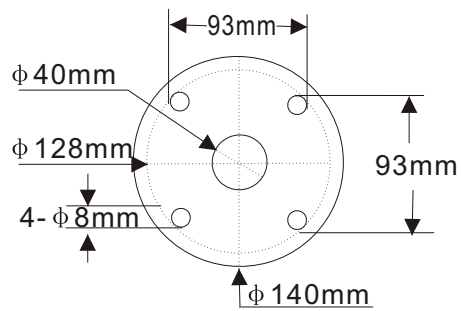


Figure 14 Pipe pendant dimension

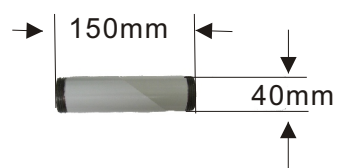
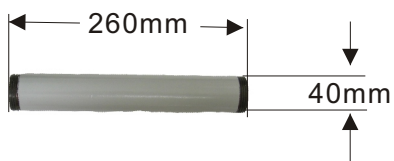
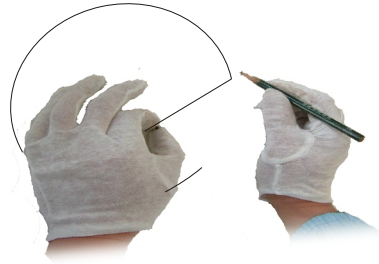


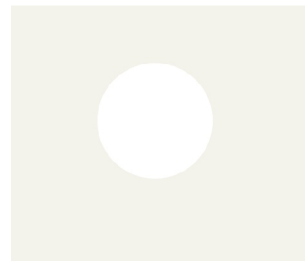
Figure 15 Pipe dimension

3.4 In-ceiling mount installation

Step 1-Preare in-ceiling



A. Locate the center point of the in-ceiling mounting location. Insert the compass tool into the hole. Draw a circle on the ceiling using the compass tool and a pencil.



B. Cut the circle out of the ceiling tile.

Step 2-Install back box





A. Take out bracket from back box. Insert the back box into ceiling, take out bracket from back box.



B. Install a safety chain/cable(not supplied) that can stand up to 32 pounds(14.6kg).



C. Press the thumb fastener and open the hinged door to the back box. Take out hole of pin.



D. Pull cables into the back box through the plastic panel. Connect cables to hole of pin.

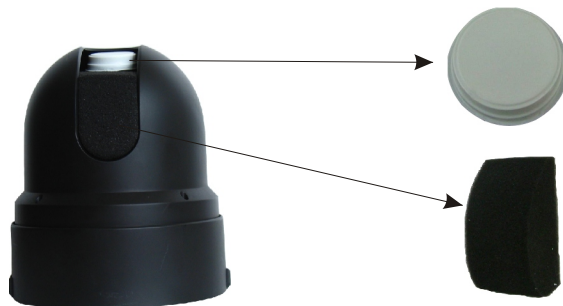


E. Insert the hole of pin inside the back box. When finished, close the door to the back box and turn on the power. The LED will light up.

*Important: If the LED does not light up, refer to the Trouble shooting section.*

### Step3-Install dome drive

A. Set the DIP switches for SW1 and SW2 at the bottom of the dome drive for the appropriate receiver address ,communication protocol, and baud rate. Refer to the labels on the dome drive or DIP SWITCH SET at the beginning of this manual.



B. Take out cover of camera and sponge.



C . Line up link card and faucet of the back board of the dome. Push the dome drive.

#### Step 4-Install lower dome



A. Take out a screw from lower dome. Link cables, screw, and lower dome.



B. Line up the snaps on trim ring with the mounting screws on the back box. Snap the trim ring into the plastic snap washers on the mounting screws.

3.5 Surface mount installation

Step 1- Install back board of surface mount



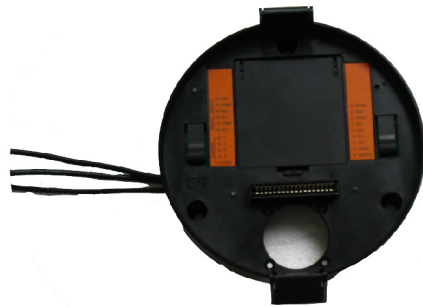
A. Locate the back board of the dome camera location. Drill a hole in the ceiling using a drill. Insert the screw and back board into the hole.



B. Press the thumb fastener and open the hinged door to the back box. Take out hole of pin.



C. Pull cables into the back box into the plastic panel. Connect cables to hole of pin.



D. Insert the hole of pin inside the back board. When finished, close the door to the back board and turn on the power. The LED will light up.

*Important: If the LED does not light up, refer to the trouble shooting section.*

### Step 2-Install dome drive

A. Set the DIP switches for Sw1 and Sw2 on the bottom of the dome drive for the appropriate receiver address ,communication protocol, and baud rate. Refer to the labels on the dome drive or DIP SWITCH SET at the beginning of this manual.



B. Line up link card and faucet of the back board of the dome. Push the dome drive.

### Step 3-Install dome flange



A. Snip a flake piece. Keep three flange Keep away from two clamps on the back board.





B. Push the flange of dome inside the back board. Take out the membrane on the clarity flake of the dome drive.

### 3.6 Pendant mount installation



*Note: When installing outdoors make sure the installation is properly sealed to keep moisture out.*

A. Install the bracket for pendant dome. Refer to the instructions supplied with the bracket. Take out cables for the dome through the bracket.



B. Press the thumb fastener and open the hinged door to the back box. Take out hole of pin.



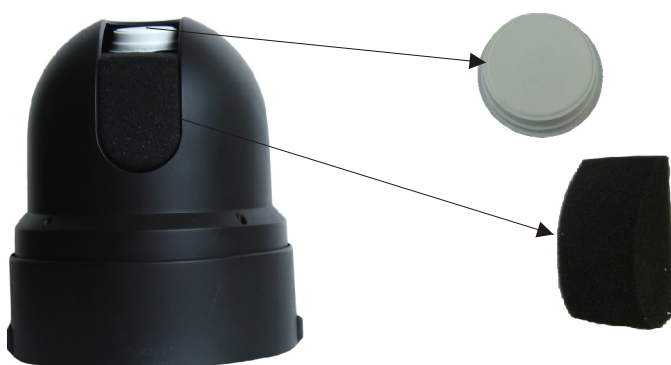
C. Screw the metal cover into the bracket.



D. Connect cables to hole of pin. Insert the pin inside the back box. When finished, close the door to the back box and turn on the power. The LED will light up.

*Important: If the LED does not light up, refer to the Trouble shooting section.*

Step2-Install dome drive



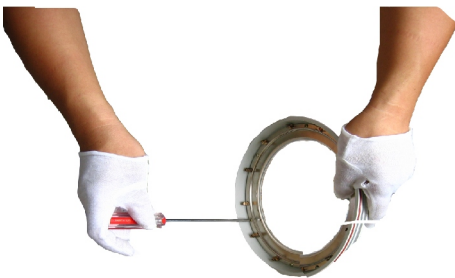
A. Set the DIP switches for SW1 and SW2 at the bottom of the dome drive for the appropriate receiver address ,communication protocol, and baud rate. Refer to the labels on the dome drive or DIP SWITCH SET at the beginning of this manual.

Take out cover of camera and sponge.



B. Line up link card and faucet of the back board of the dome. Push the dome drive.

Step 3-Install lower dome.



A. Take out a screw from lower dome. Link cables, screw, and lower dome.



B. Line up the mounting screw holes, and install the two mounting screws. Push the lower dome inside the back box.



B. Screw the two mounting screws, and screws in the bracket.

### 3.7 Pipe pendant mount installation

*Note: Same as wall mount installation.*

## Section 4 Troubleshooting and repair

### 4.1 Troubleshooting

PROBLEM	POSSIBLE REASON	SOLUTION
Power on normally but no video signal	Wrong wire connections	Check and reconnections
	Wrong or bad power source	Change power source
	Fuse broken.	Change fuse
	Power cable is disconnected	Reconnect power wiring.
Pan/Tilt not initializing when power on	Address, communication protocol, and baud rate is not correctly set	Check and set the parameters again.
	RS-485 cable is not correctly connected	Check and reconnect Rs485 cable
Video is Not stable	Video cable is wrong	Check and reconnect video
	Power source is wrong	Change the power source
Control center is not stable	RS-485 wiring error	Check and reconnect the RS485

### 4.2 CAUTION

1. Avoid crash violently and rude handling during transportation.
2. Only authorized service persons are allowed to open and repair the dome.
3. Installation should be done very carefully, avoiding mechanical destroy, Do not power up the dome camera when installing.
4. Only the attached power adaptor can be used and should be placed as near as possible to the dome camera.
5. Keep away from heats and high voltage.
6. Don't expose the lens directly to strong light such as sun shine.
7. Do not use cameras if it goes beyond working temperature or humidity. Temperature range is -25°C to 75°C and humidity is less than 90%.